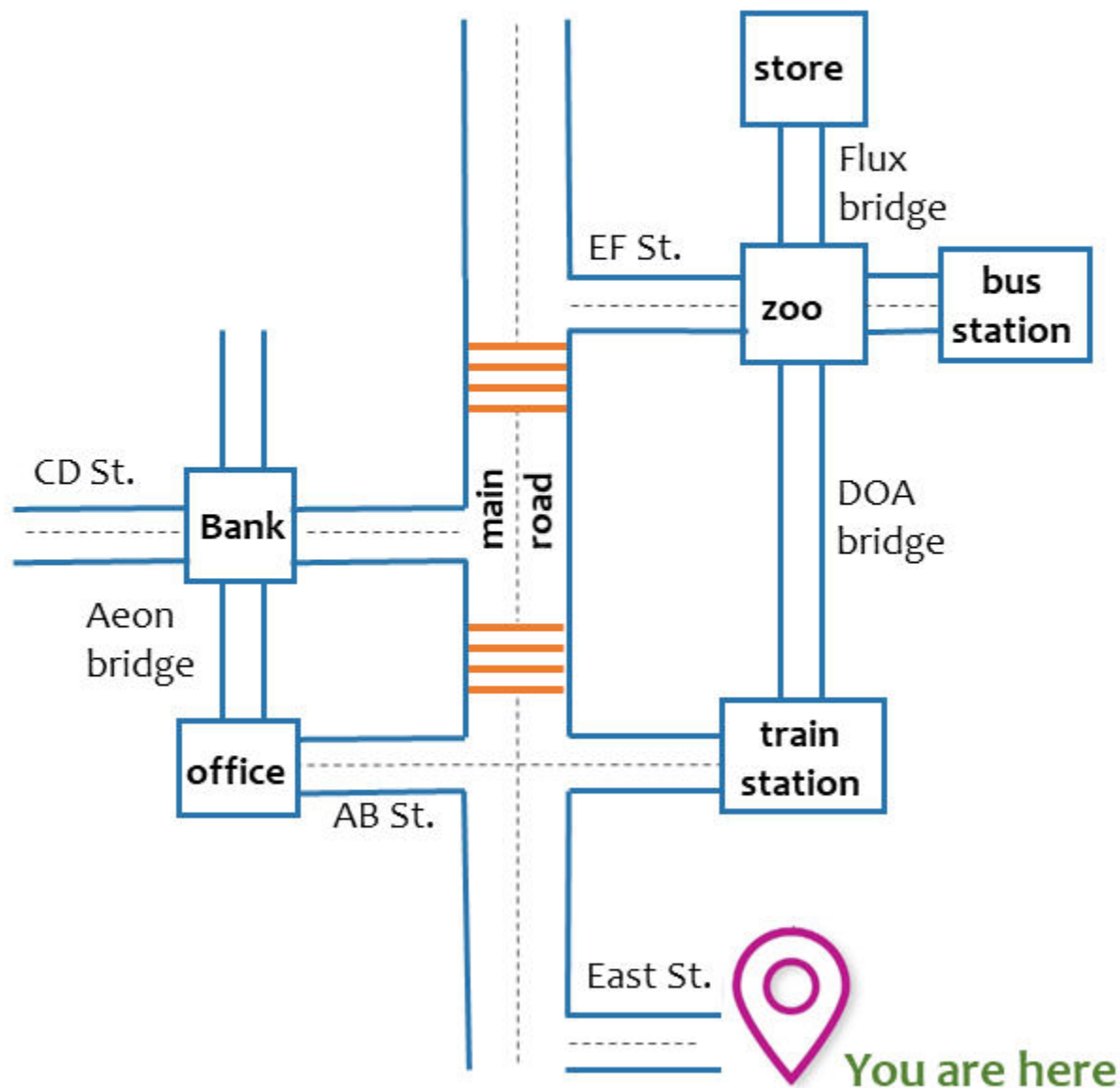




Give directions to the following places.

- zoo
- bank
- office



Introduce today's sentences.

Grammar Focus

- Active Voice
- Passive Voice

Key Expressions

- **Brewers do the entire fermentation process.**
- **This brewery was founded by Jiemon Matsui.**



Listen to the teacher and repeat.



flavor



knowledgeable



yeast



ferment



brewer



found

Listen to the audio and repeat.



Franc: They have different flavors of sake here. I like sweet taste so I prefer "amami".

Mr. Tanaka: What are the other flavors?

Franc: Well, they also have karami, nigami, shibumi and sanmi.

Bo: You're so knowledgeable about sake. How come?

Franc: That's because I've been here a lot of times.

Mr. Tanaka: I see. What food goes well with sake?

Franc: It depends. I like to have seafood or some spicy deep-fried food.

Bo: Why do you like coming here?

Franc: I absolutely like this brewery. **Brewers do the entire fermentation process** and I can say that they are well-skilled. **This brewery was founded by Jiemon Matsui.**

Mr. Tanaka: Was he the first one to create sake too?

Franc: Based on what I know, the first one to create sake was a doctor.

More Examples

Active Voice

(doer + verb + receiver)

I **did** my project.

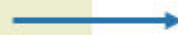
She **teaches** English.

Mom **is preparing** dinner.

They **have to follow** the rules.

The school **will accept** new teachers.

He **was helping** a stranger when a woman came and stopped him.

**Passive Voice**

(receiver + be past participle + doer)

My project **was done**.

English **is taught** by her.

Dinner **is being prepared** by Mom.

The rules **have to be followed** by them.

New teachers **will be accepted** by the school.

A stranger **was being helped** by him when a woman came and stopped him.



Tell whether the sentence is active or passive.

1. She missed the train.
2. He composed a sonnet.
3. The car hit the old man.
4. The problem was solved.
5. Elders should be respected.
6. Do they speak Portuguese?
7. By whom was this poem written?
8. The house was being cleaned by her.

.....

.....

.....

.....

.....

.....

.....

.....

Change the active sentences to passive sentences and vice versa.**Active Voice**

1. My grandfather built this house.
- 2.
3. The brewer prepared the cappuccino.
- 4.
5. Everybody loves Mr. Brown.
- 6.
7. Somebody has drunk all the tequila.
- 8.

Passive Voice

The gown was worn by the bride.

The letter was sent by the CEO.

My naughty sister was punished by Mom.

The class was recorded by her.



Situation: Talk with your friends about your favorite inventions (gadgets) and discuss who made the inventions, and who usually use the said inventions. Use the grammar you have learned today. (*Active and Passive Voice*)



Word Focus

flavor

knowledgeable

yeast

ferment

brewer

found

Grammar Focus

- Active Voice
- Passive Voice